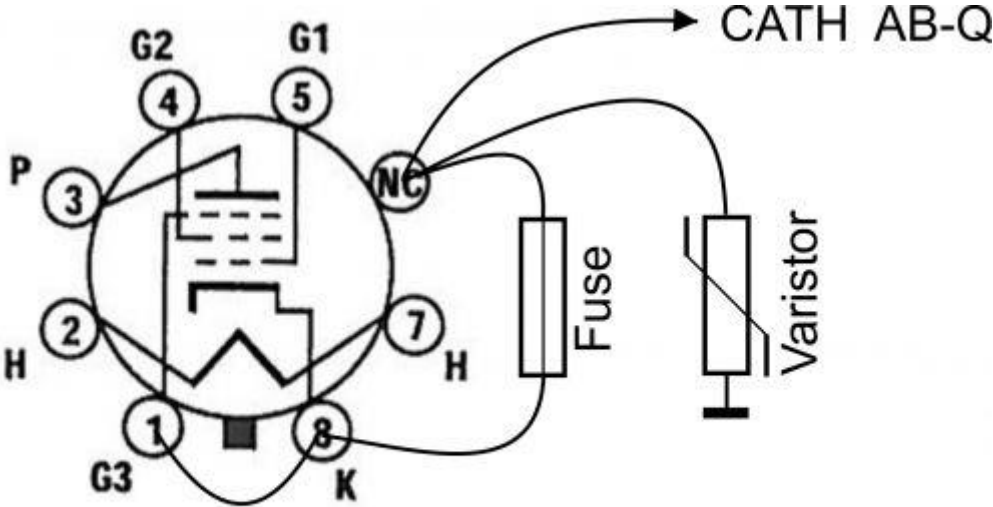
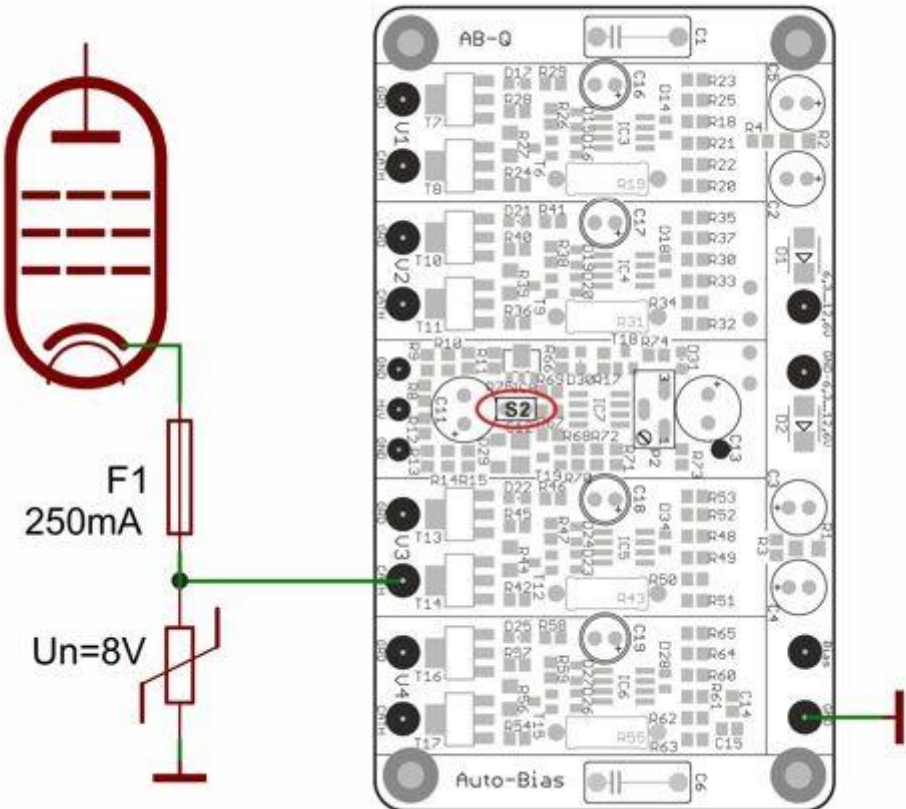


Recommended protection by connecting the varistor and the fuse to the cathode circuit.

This circuit protects the moduls AB-XX for a short circuit in the tube.



EL34 or KT88